

EMS52~EMS56

# Service Manual

ALINCO INCORPORATED

TWIN 21 M.I.D. TOWER BUILDING 23F, 1-61, 2-CHOME,  
SHIROMI CHUO-KU , OSAKA, 540-8580 JAPAN

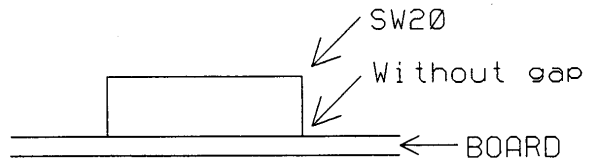
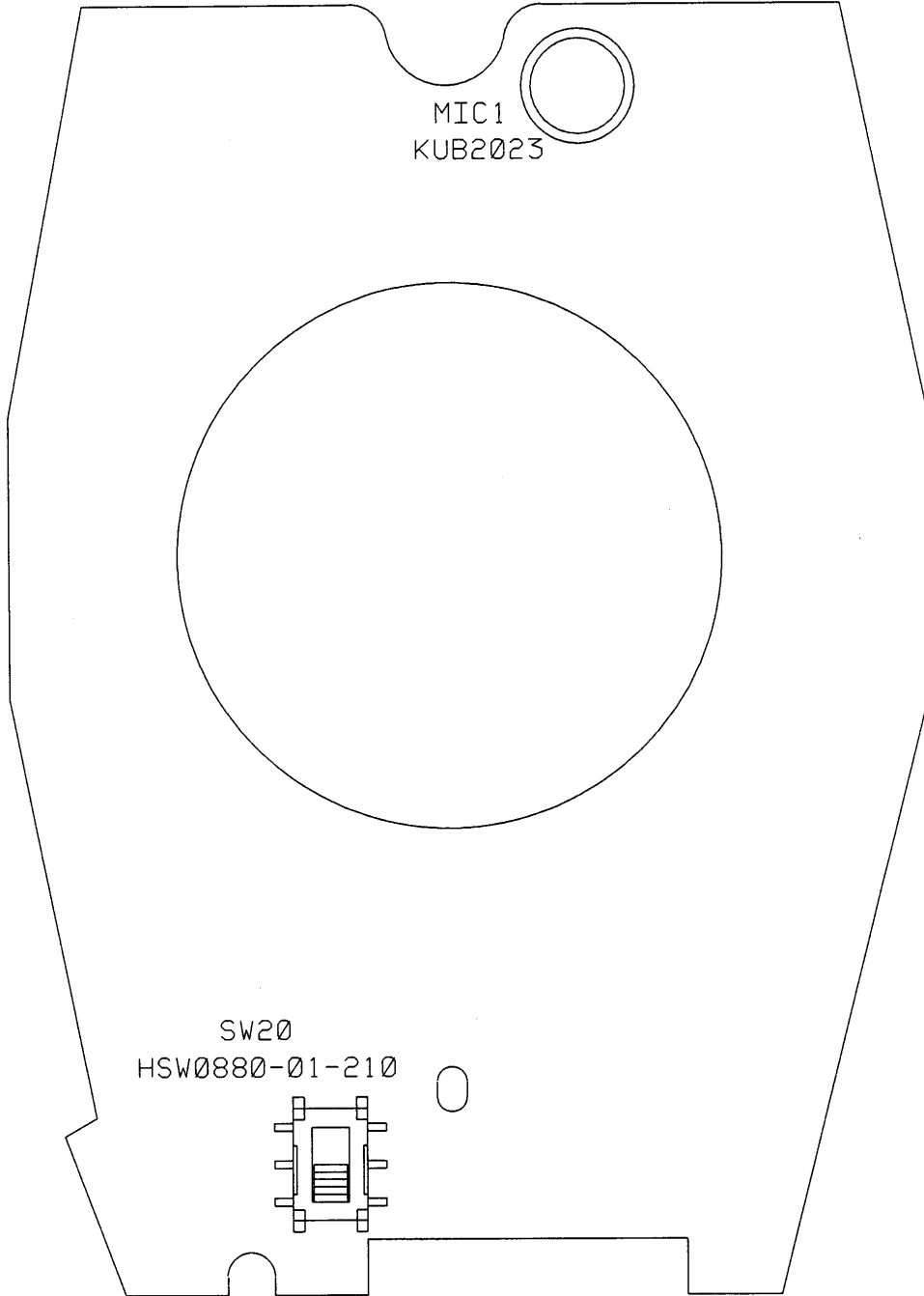
Tel (81)6-6946-8150 fax (81)6-6946-8175

e-mail: [export@alinco.co.jp](mailto:export@alinco.co.jp)

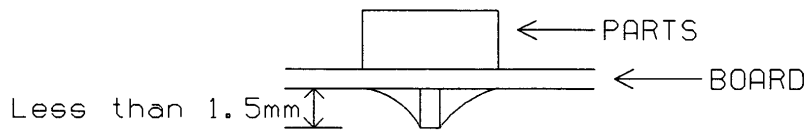
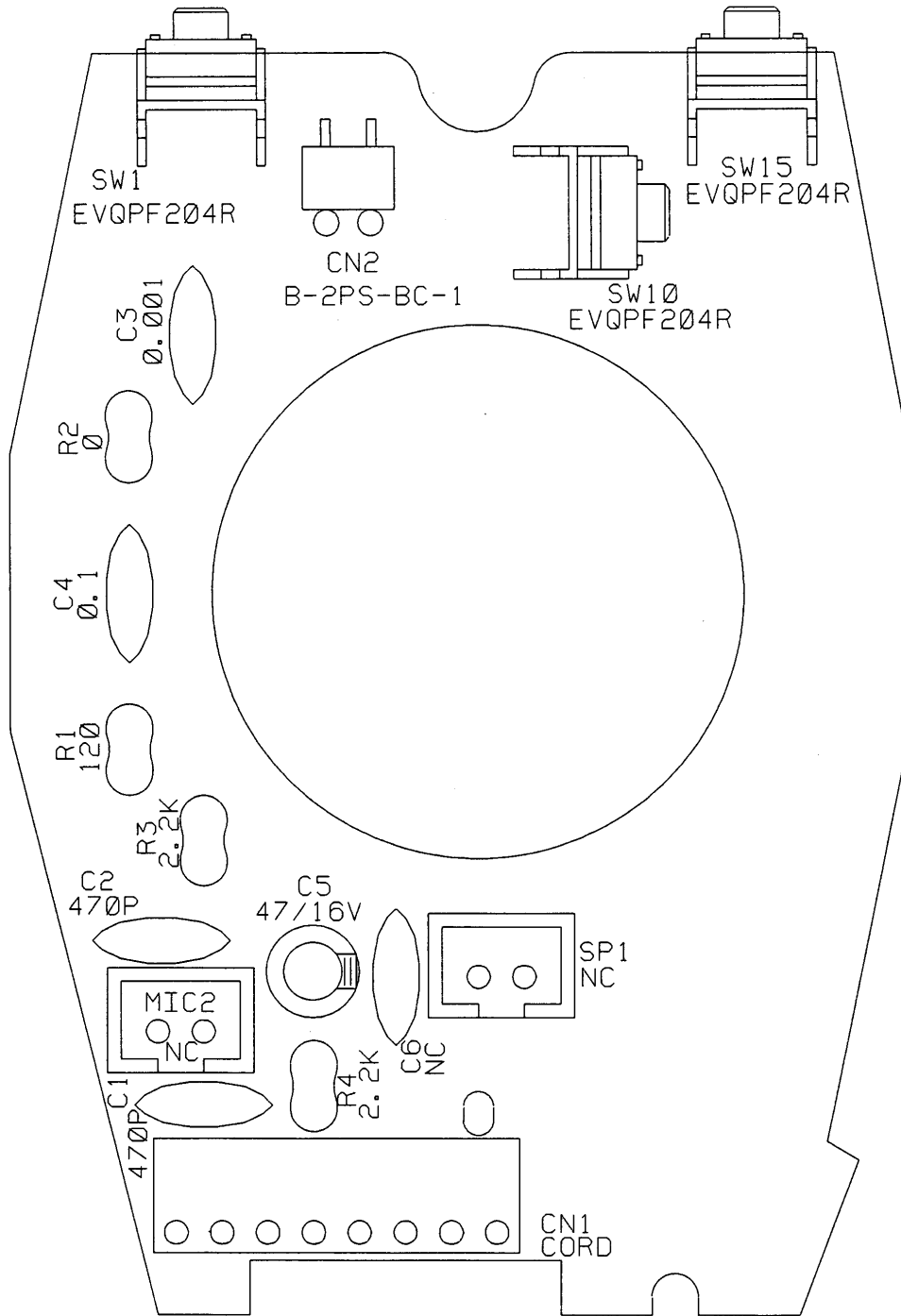
When installing the microphone, be careful with the polarity.

Model

EMS52-53



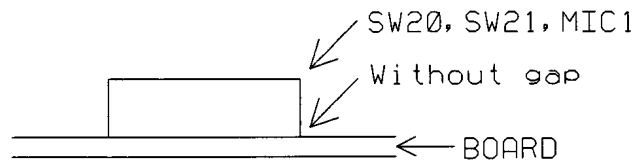
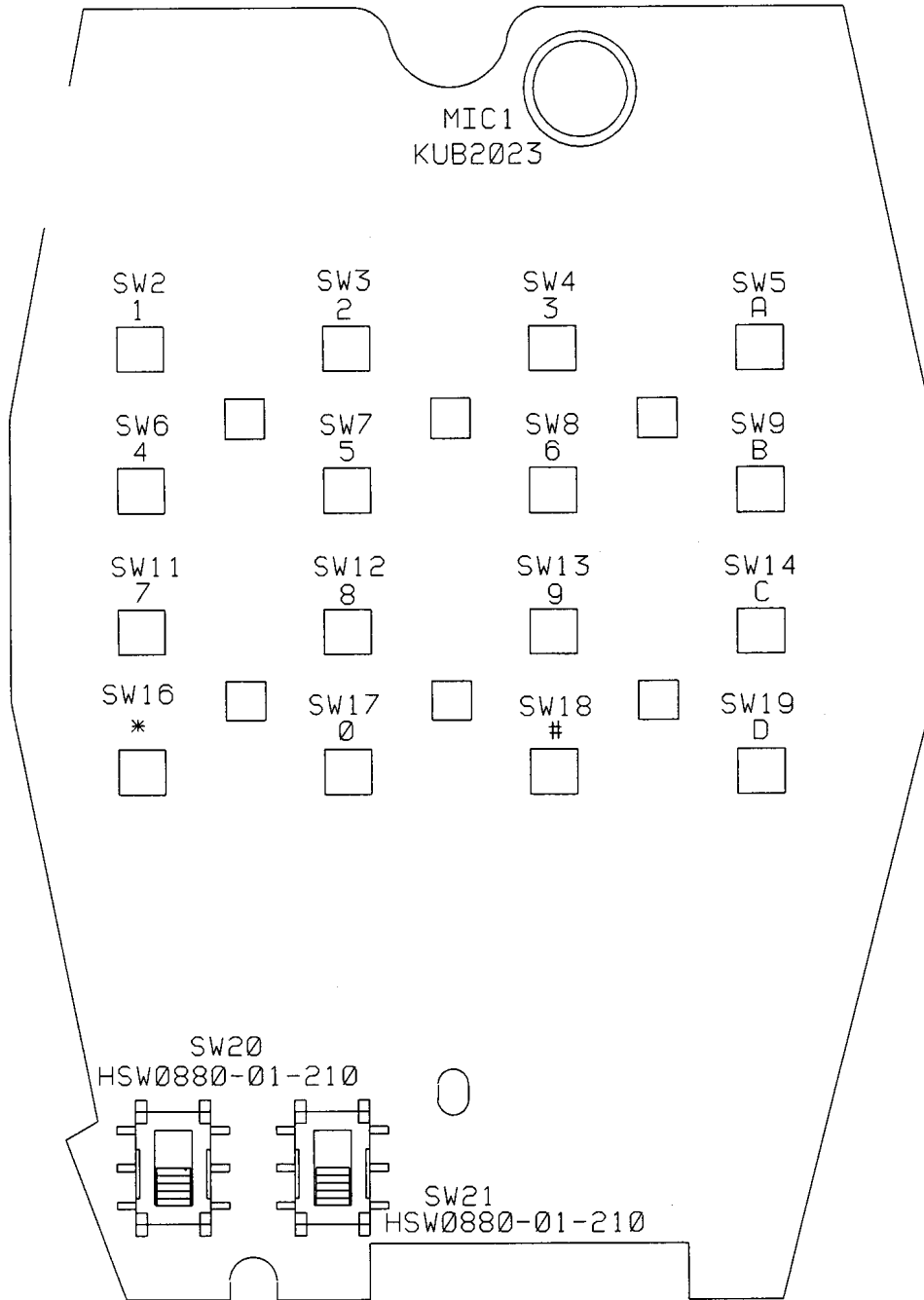
When inserting SW20 into the board,  
don't allow any gap in between.



Cut the lead of parts less than 1.5mm.  
Make the lead of resistor and capacitor between the board and the head of the components as short as possible.

When installing the microphone, be careful with the polarity.

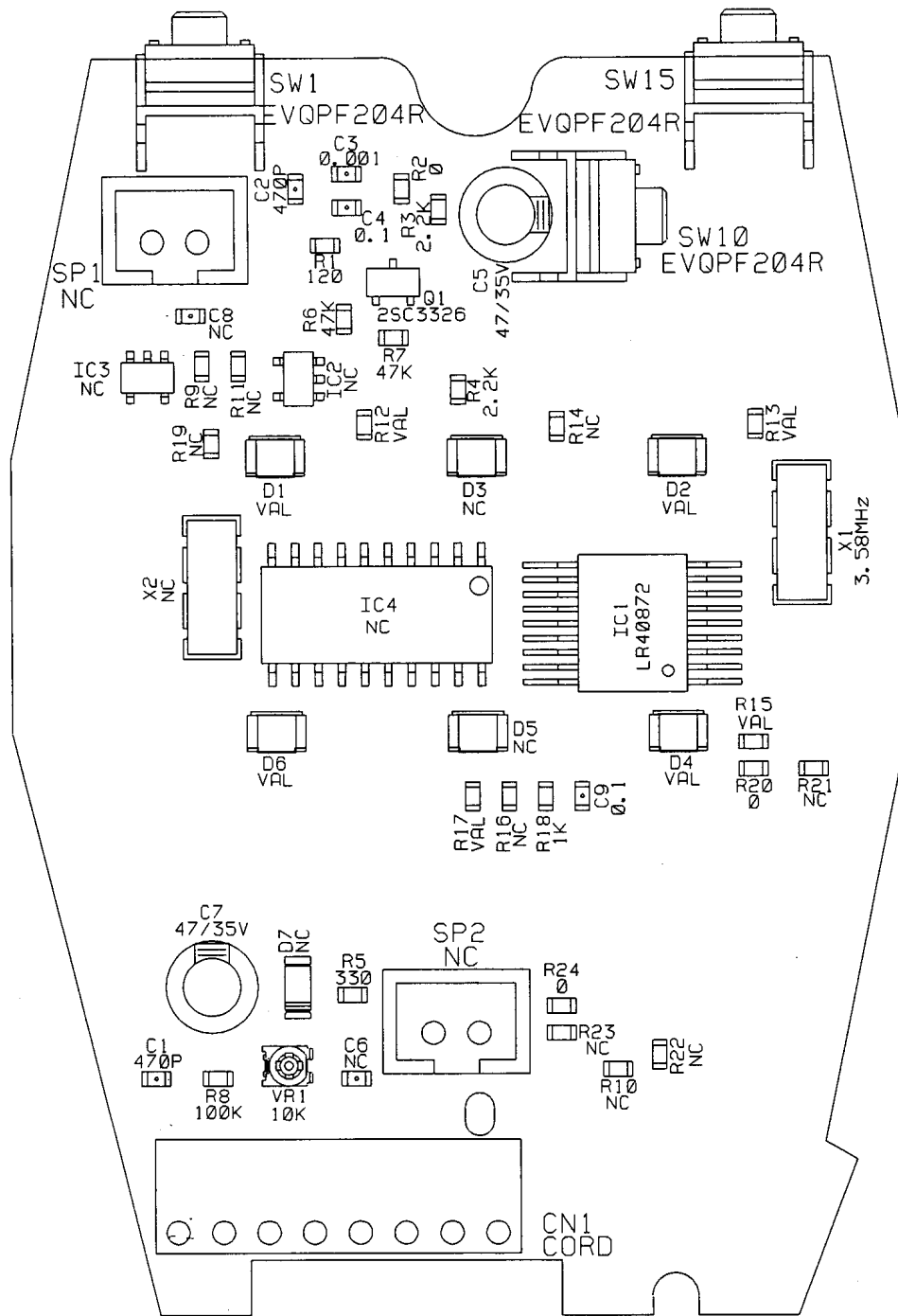
Model  
EMS54-57



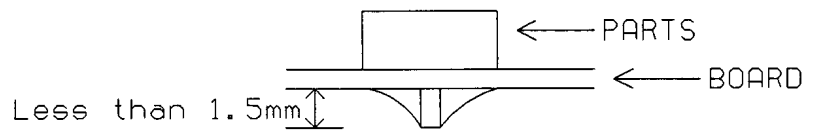
When inserting SW20, SW21 and MIC1 into the board, don't allow any gap in between.

UP0383 A side (EMS54/55/56)  
UP0418 A side (EMS57)

Model  
EMS54-56



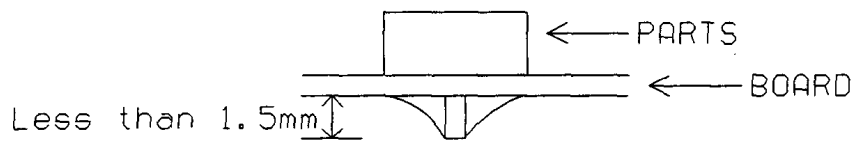
	EMS54	EMS55	EMS56
R12	NC	NC	330
R13	NC	NC	330
R15	NC	NC	330
R17	NC	NC	330
D1	NC	NC	AA1111R
D2	NC	NC	AA1111R
D4	NC	NC	AA1111R
D6	NC	NC	AA1111R



Cut the lead of parts less than 1.5mm.  
Make the lead of resistor and capacitor between the board and the head of the components as short as possible.

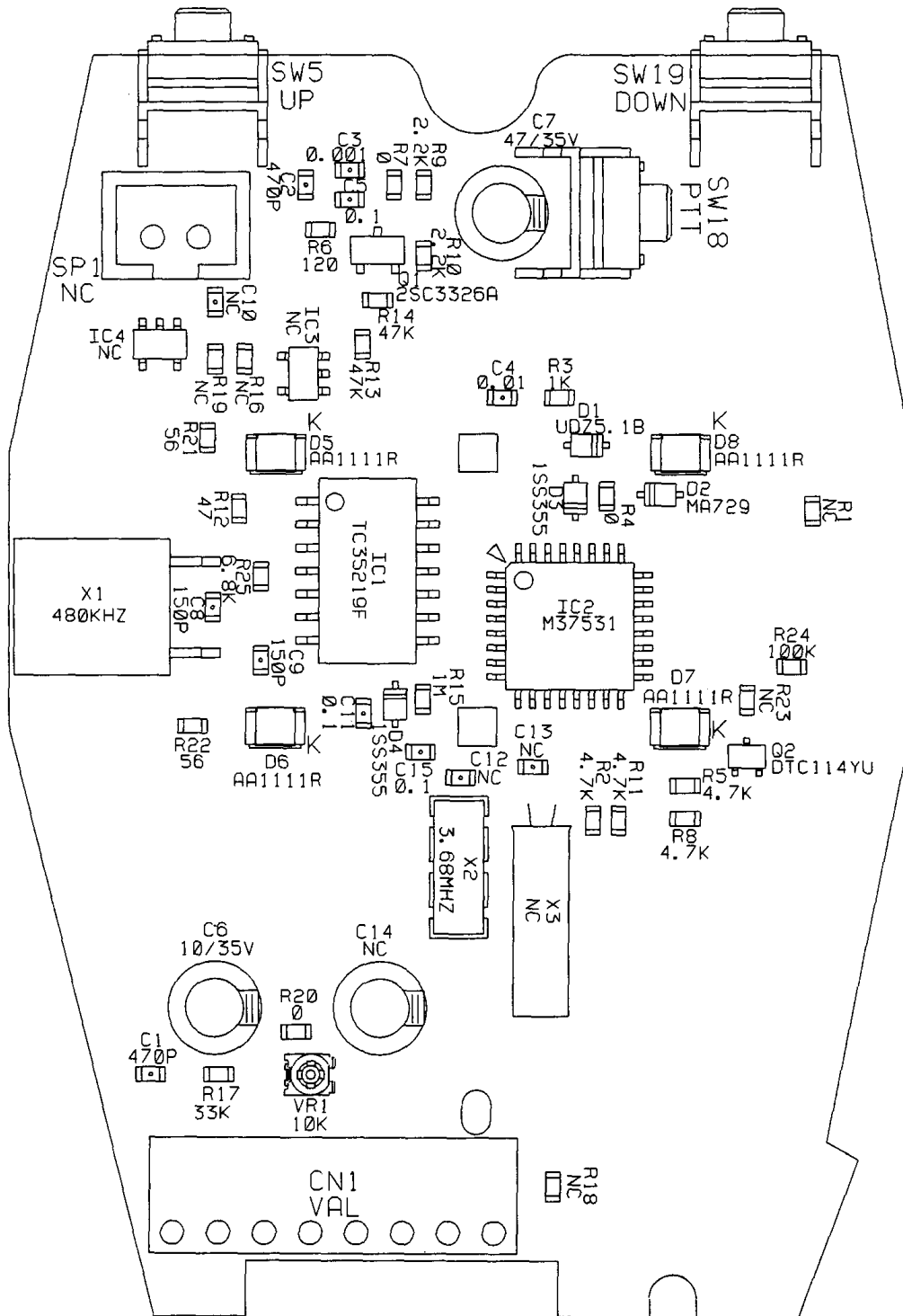
EMS54/55/56

UP0383 B side



Cut the lead of parts less than 1.5mm.

Make the lead of resistor and capacitor between the board and the head of the components as short as possible.



UP0418 B side (EMS57)

① MIC  
(EY0016)

Number

1

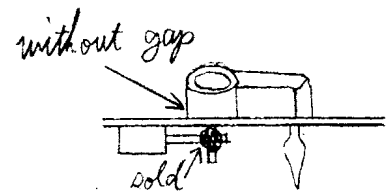
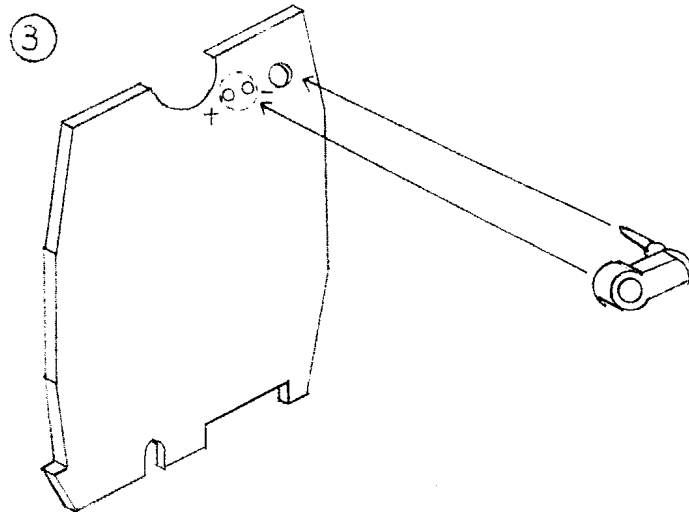
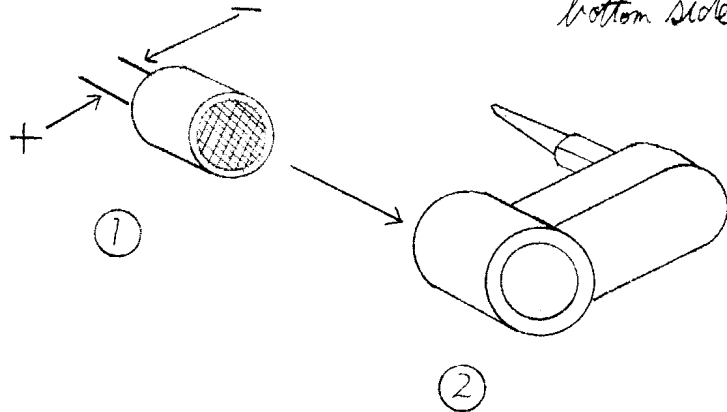
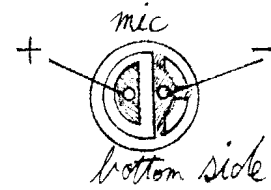
② Mic rubber  
(FG0294)

1

③ board

1

*please be careful  
with the polarity.*



*pull the leg of mic  
rubber outside from  
board hole.*

発行年月日

承認

承認

検印

担当

図番

改定記号

coiled cord to board wiring

ALL PAGE

Model  
EMS52-57

PAGE

6 / 18

- ① board
- ② Coiled cord

number

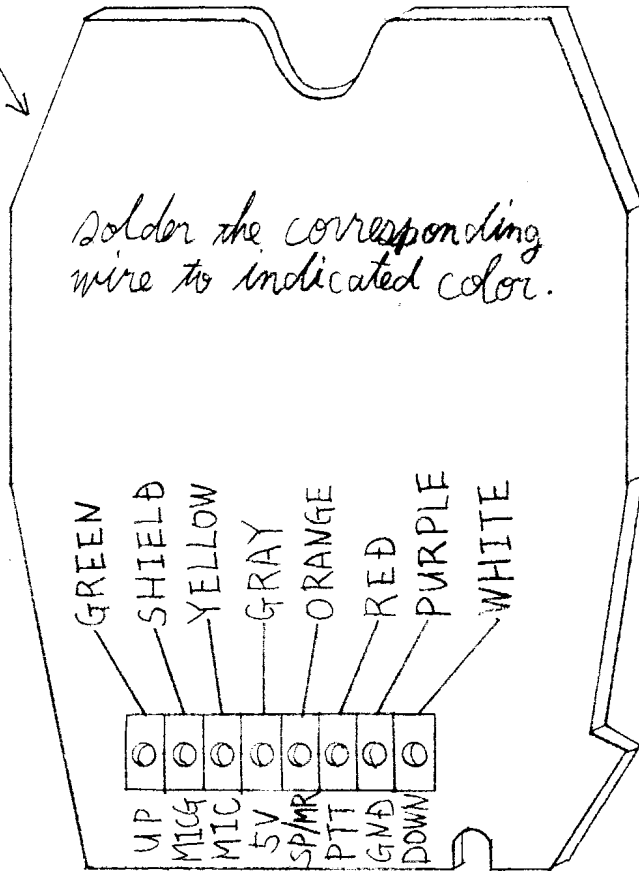
1

1

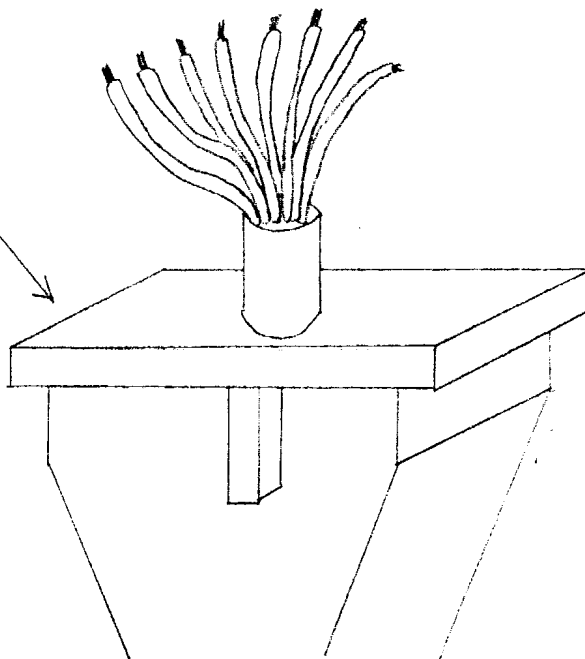
UE0356  
(EMS52  
EMS54)

UE0357  
(EMS53  
EMS55  
EMS56  
EMS57)

①



②



発行年月日

承認

承認

検印

担当

図番

改定記号



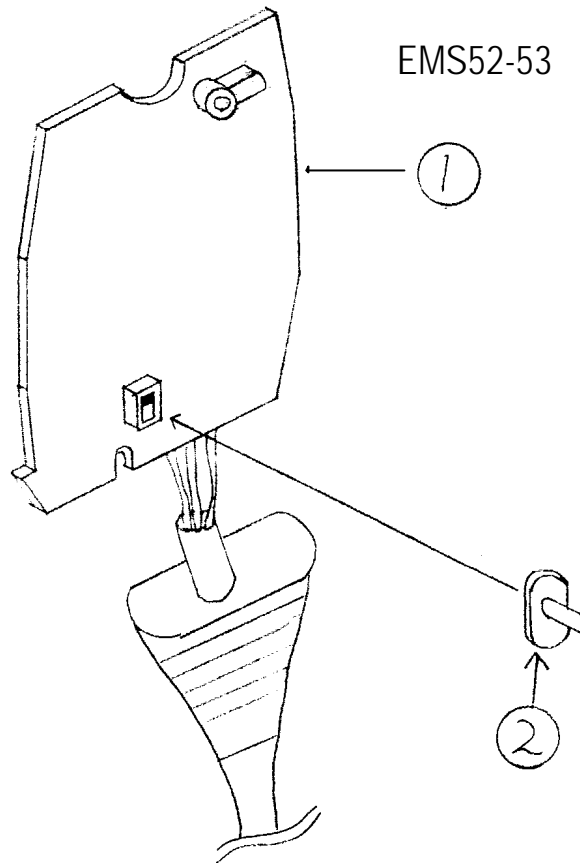
① board

number  
1

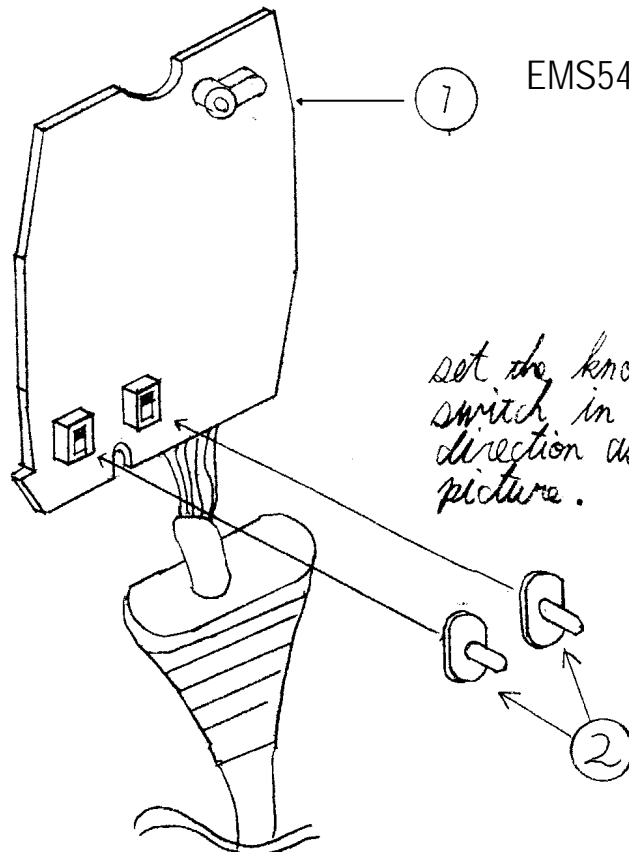
② Switch knob  
(FP0143)

7

EMS52-53



EMS54-57



発行年月日

*weight to rear case assembly*

① rear case  
(KB0076)

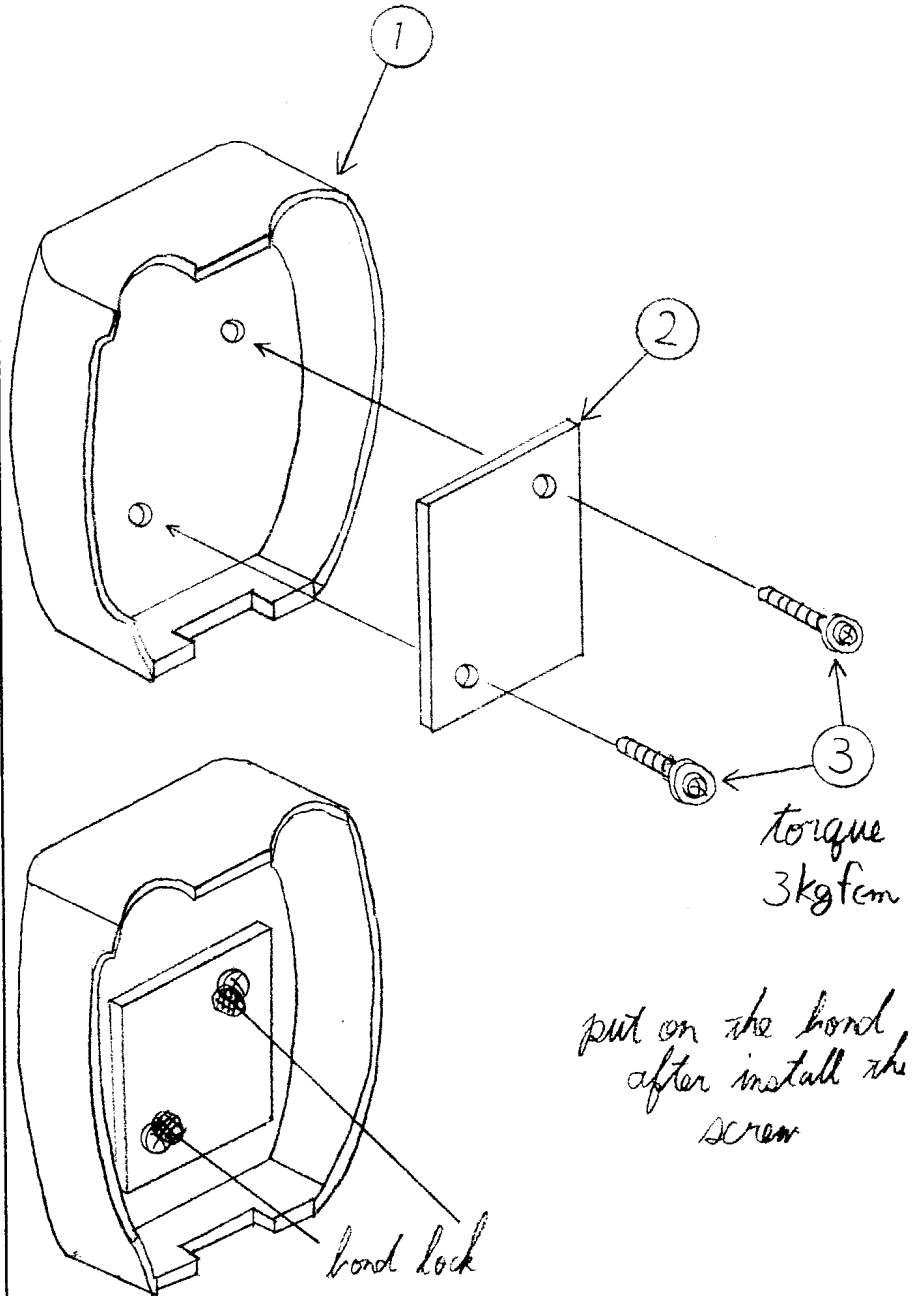
1

② weight  
(FM0181)

1

③ screw  
(AE0027)

2



発行年月日

承認

承認

検印

担当

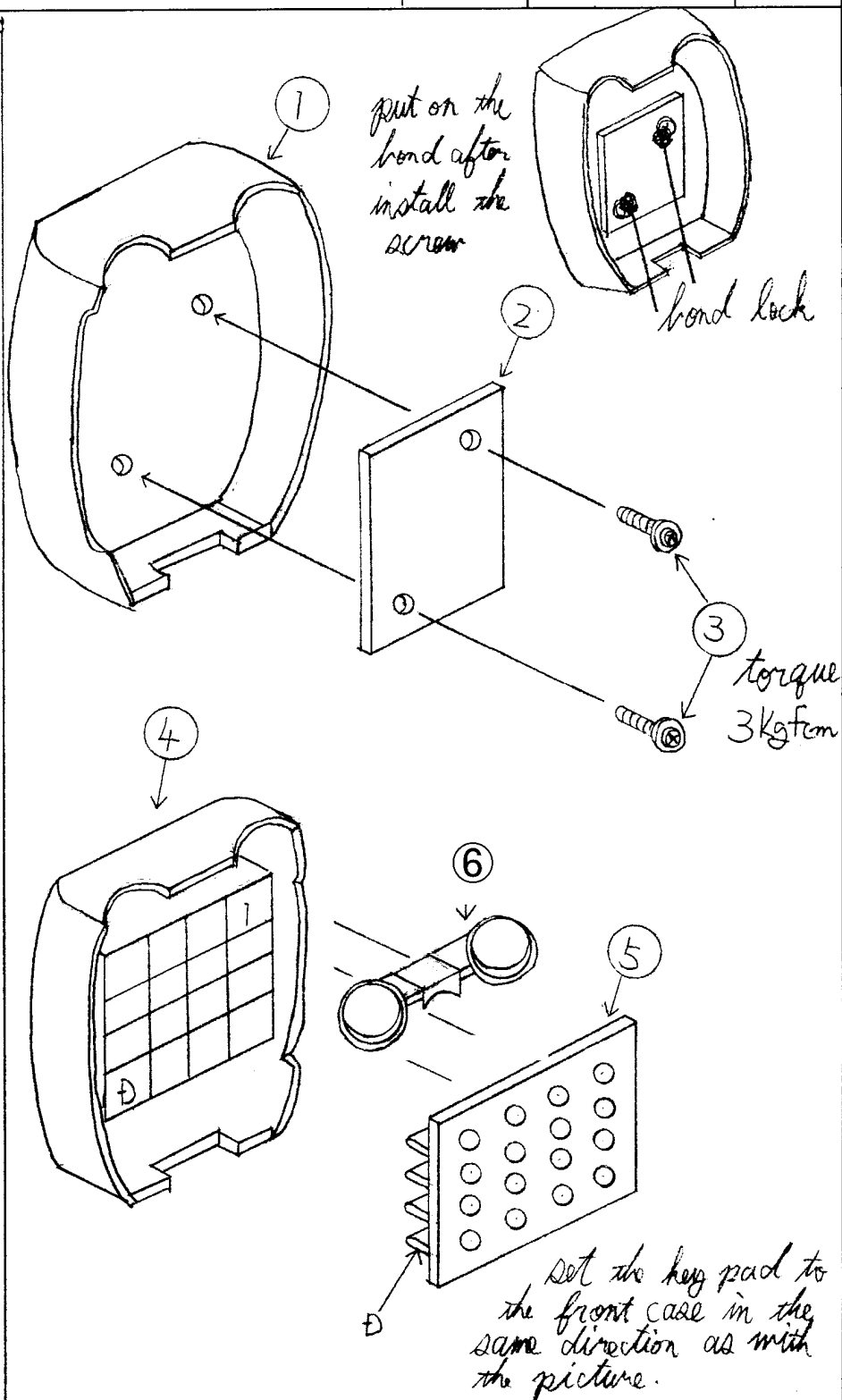
図番

改定記号

- ① rear case (KB0076)
- ② weight (FM0181)
- ③ screw (AE0027)
- ④ front case  
KM0249(EMS54)  
KM0253(EMS55)  
KM0254(EMS56)  
KM0273(EMS57)
- ⑤ key pad (FG0295)
- ⑥ up-down key (FP0145)

number

1  
1  
2  
1  
1



発行年月日

承認

承認

検印

担当

図番

改定記号

△AE235

# board to front case assembly

ALL PAGE

Model  
EMS52-57

PAGE

11 / 18

① screw  
(AP0004)

5

② up-down key  
(FP0145)

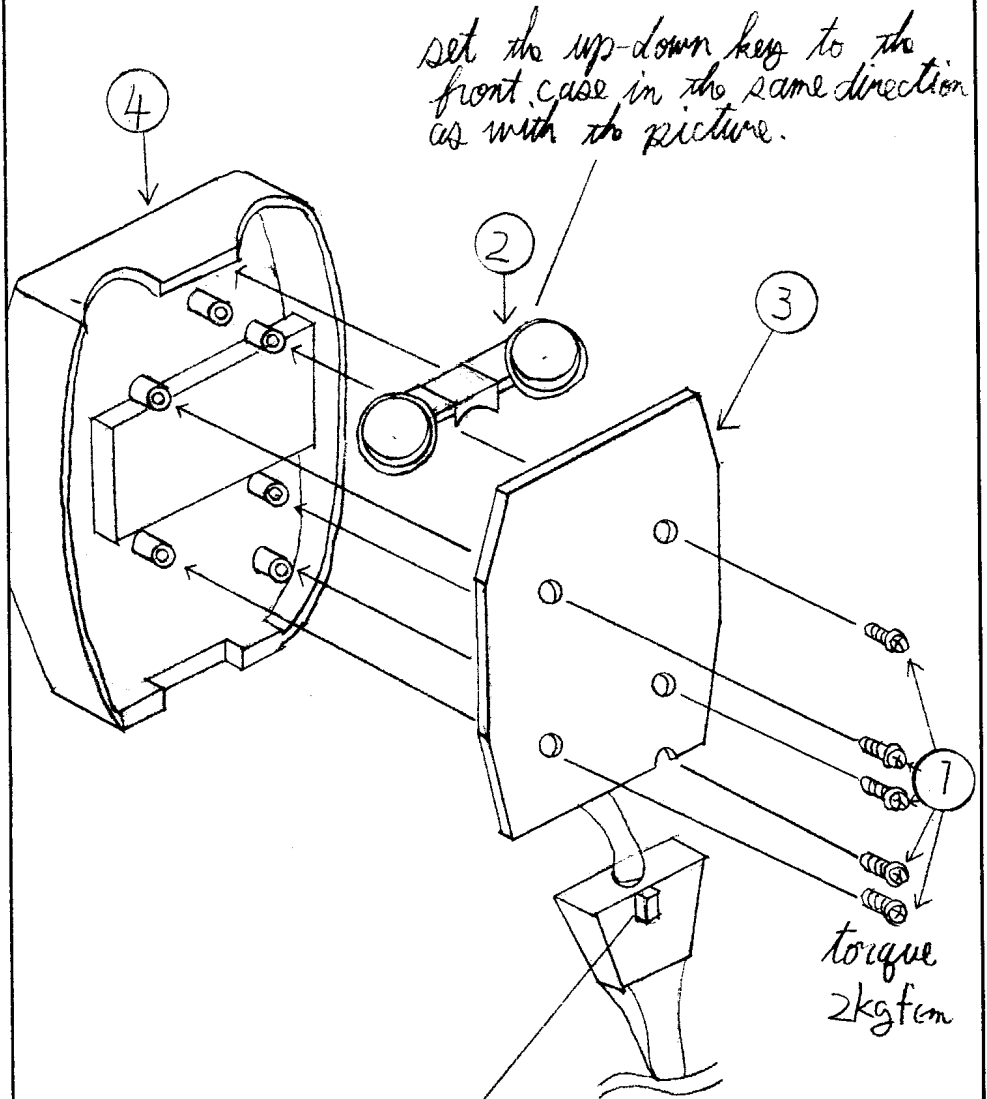
1

③ board

1

④ front case

1



発行年月日

承認

承認

検印

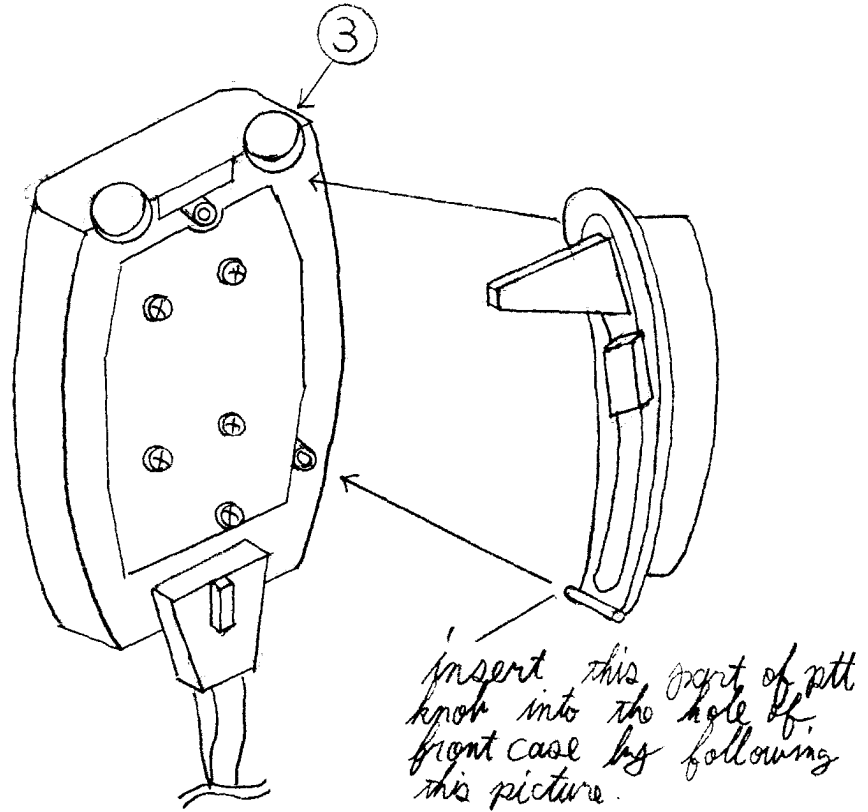
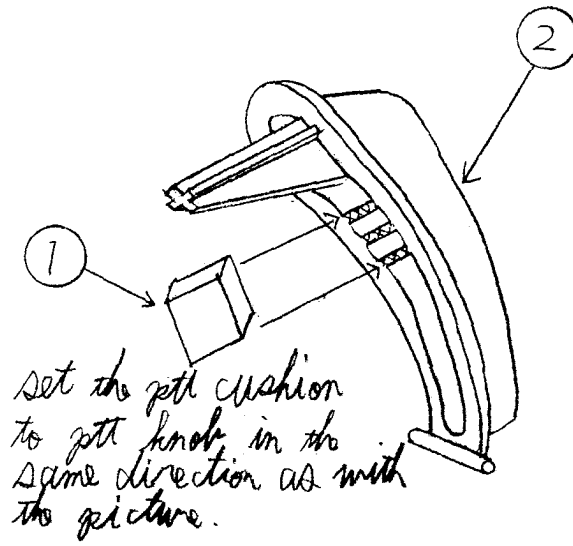
担当

図番

改定記号

ptt knob to front case assembly

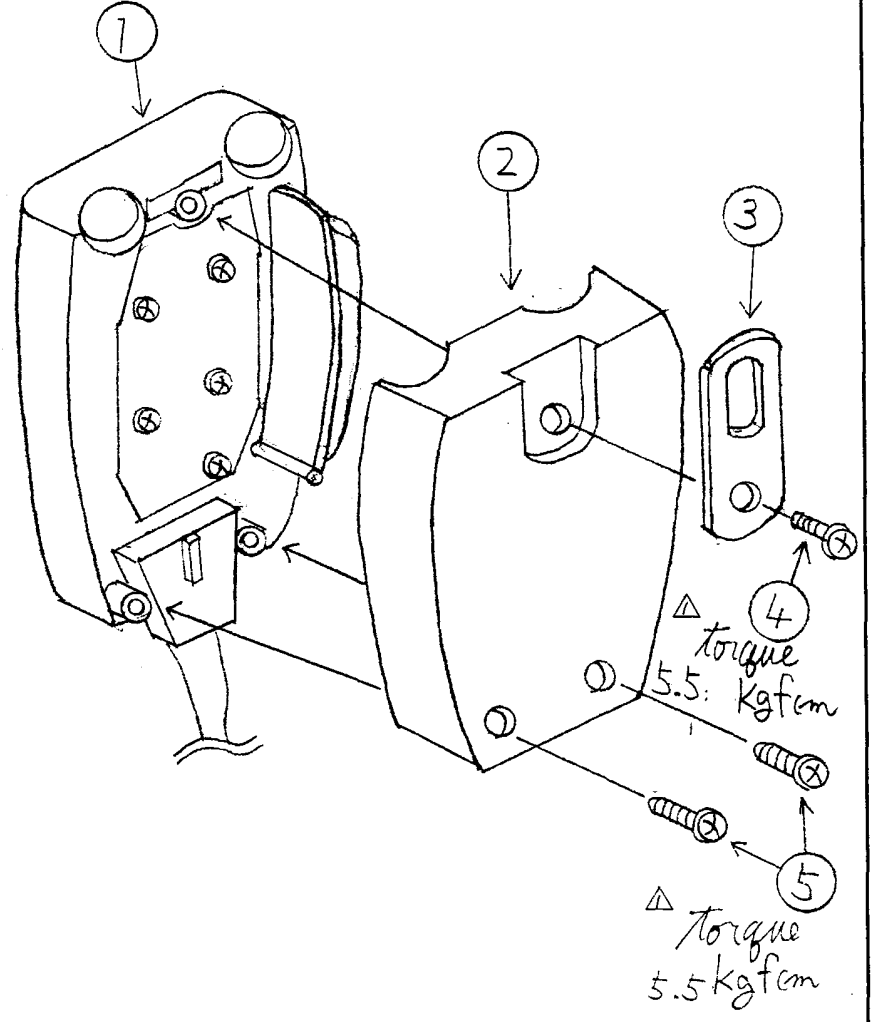
- |                           |             |
|---------------------------|-------------|
| ① ptt cushion<br>(FG0298) | number<br>1 |
| ② ptt knob<br>(FP0144)    | 1           |
| ③ front case              | 1           |



発行年月日	承認	承認	検印	担当	図番	改定記号

# Casing assembly

- | number |                   |
|--------|-------------------|
| ①      | front case        |
| ②      | rear case         |
| ③      | hook<br>(FM0180)  |
| ④      | screw<br>(AP0030) |
| ⑤      | screw<br>(AP0029) |



発行年月日	承認	承認	検印	担当	図番	改定記号
						△AE2392

# Package

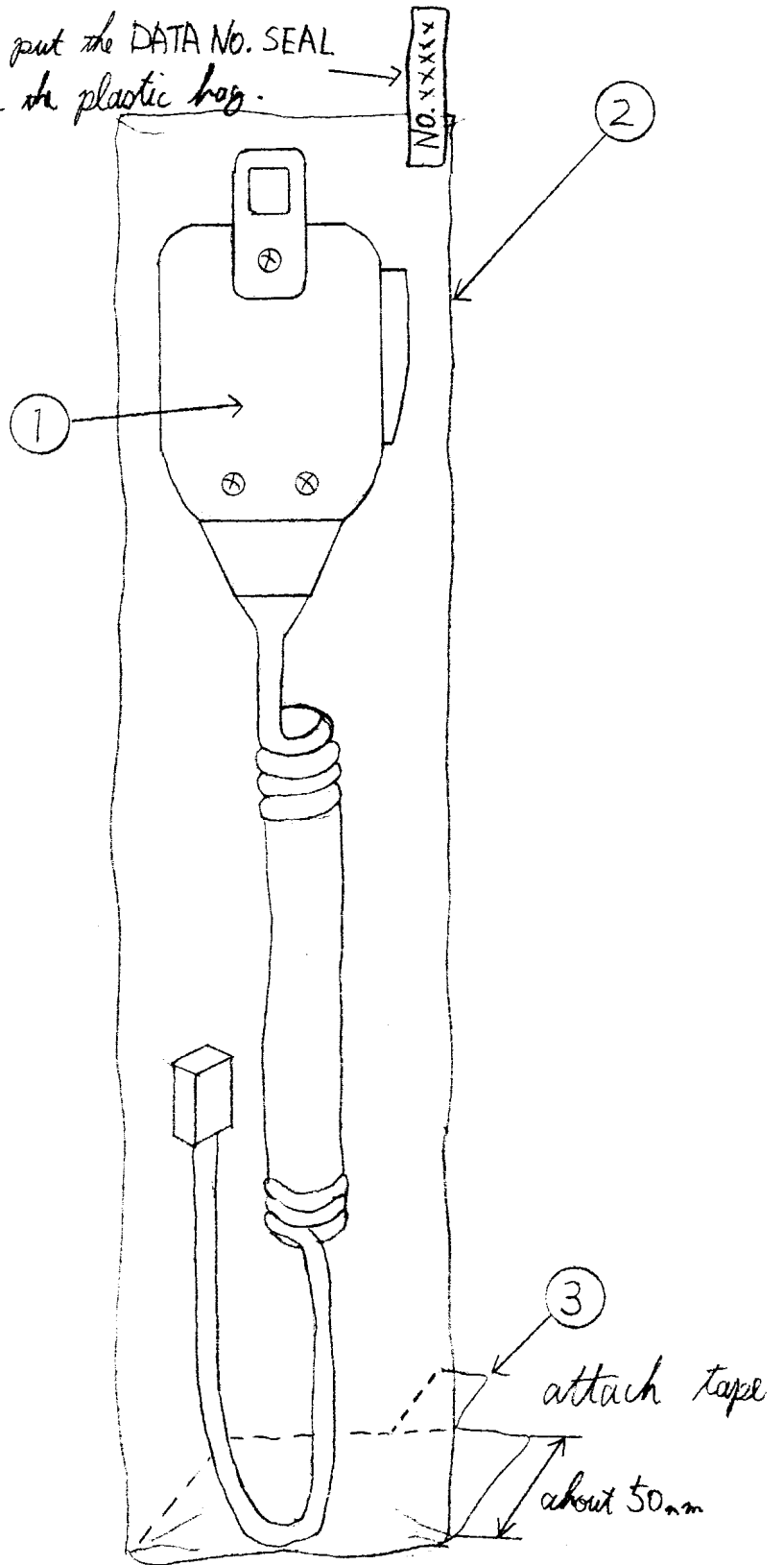
ALL PAGE

Model  
EMS52-57

PAGE  
14 / 18

- | Number |                         |
|--------|-------------------------|
| ①      | mic                     |
| ②      | plastic bag<br>(HP0036) |
| ③      | tape (about 20mm)       |
| ④      | PR0478                  |

△ Please put the DATA NO. SEAL on the plastic bag.



発行年月日	承認	承認	検印	担当	図番	改定記号

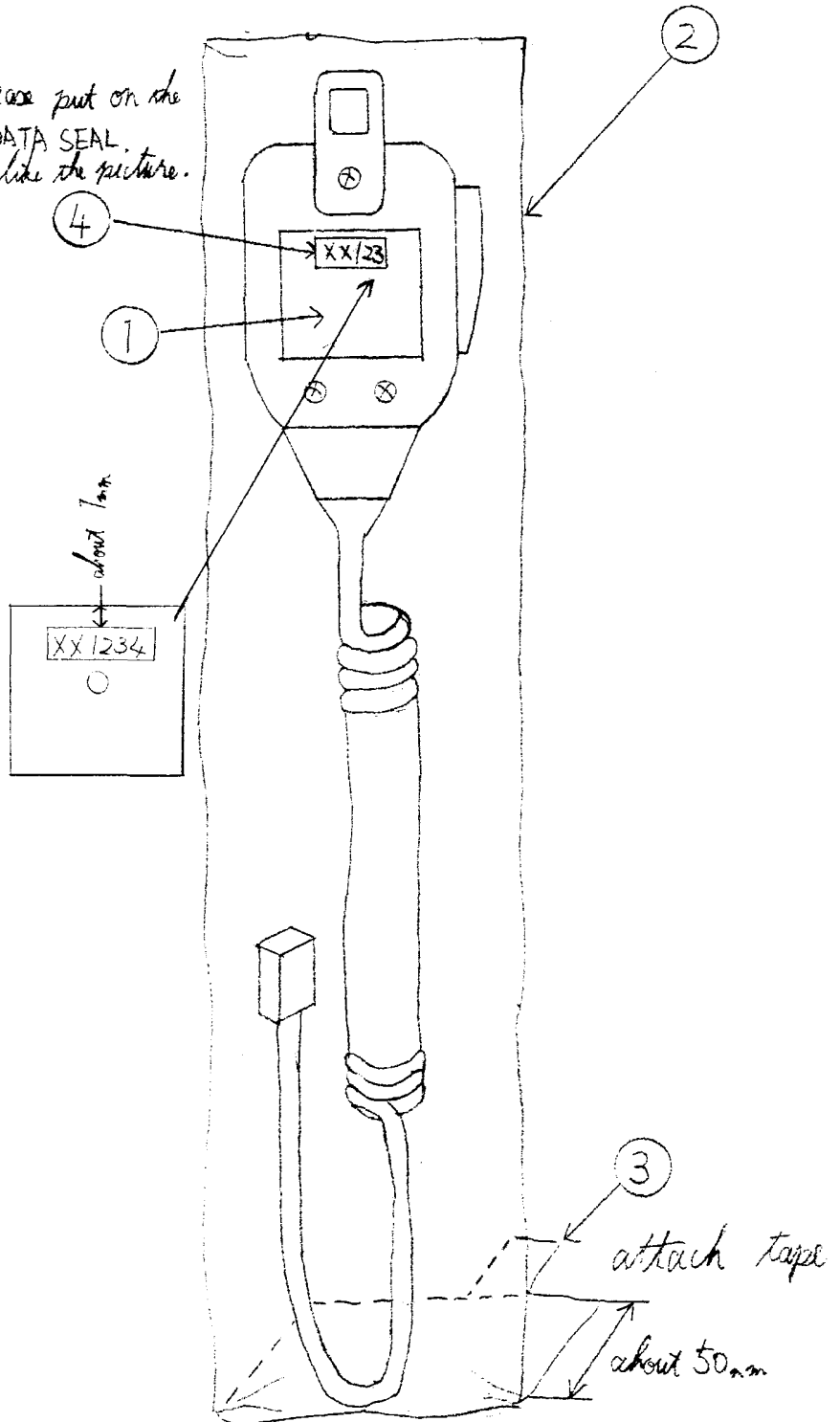
# Package

Model  
EMS57

PAGE  
14/18B

- |                        | number |
|------------------------|--------|
| ① mic                  | 1      |
| ② plastic bag (HP0036) | 1      |
| ③ Tape (about 20cm)    | 1      |
| ④ serial seal (PR0478) | 1      |

Please put on the  
DATA SEAL.  
like the picture.



発行年月日	承認	承認	検印	担当	改定記号

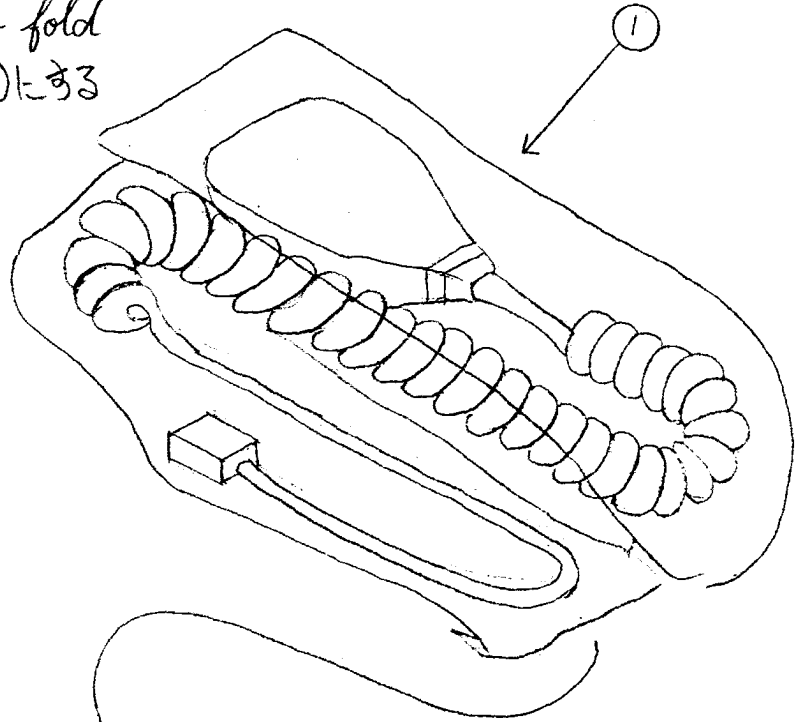


Package

① mic

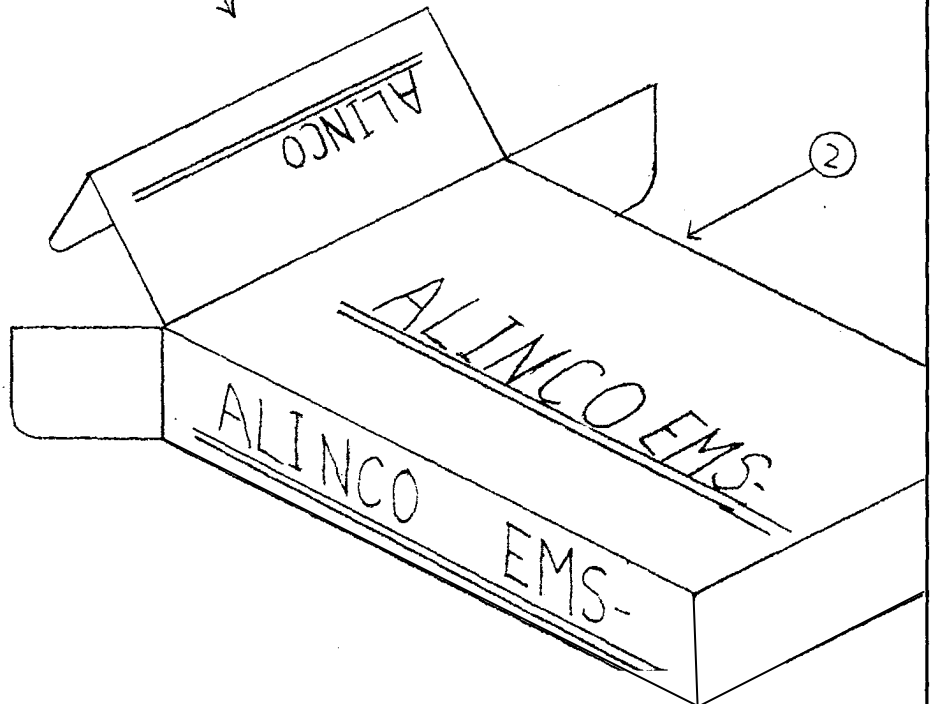
数量  
1

three-fold  
三つ折りにする



② package  
EMS54  
(HK0477)  
EMS55  
(HK0478)  
EMS56  
(HK0479)  
EMS57  
(HK0506)

1



発行年月日

承認

承認

検印

担当

図

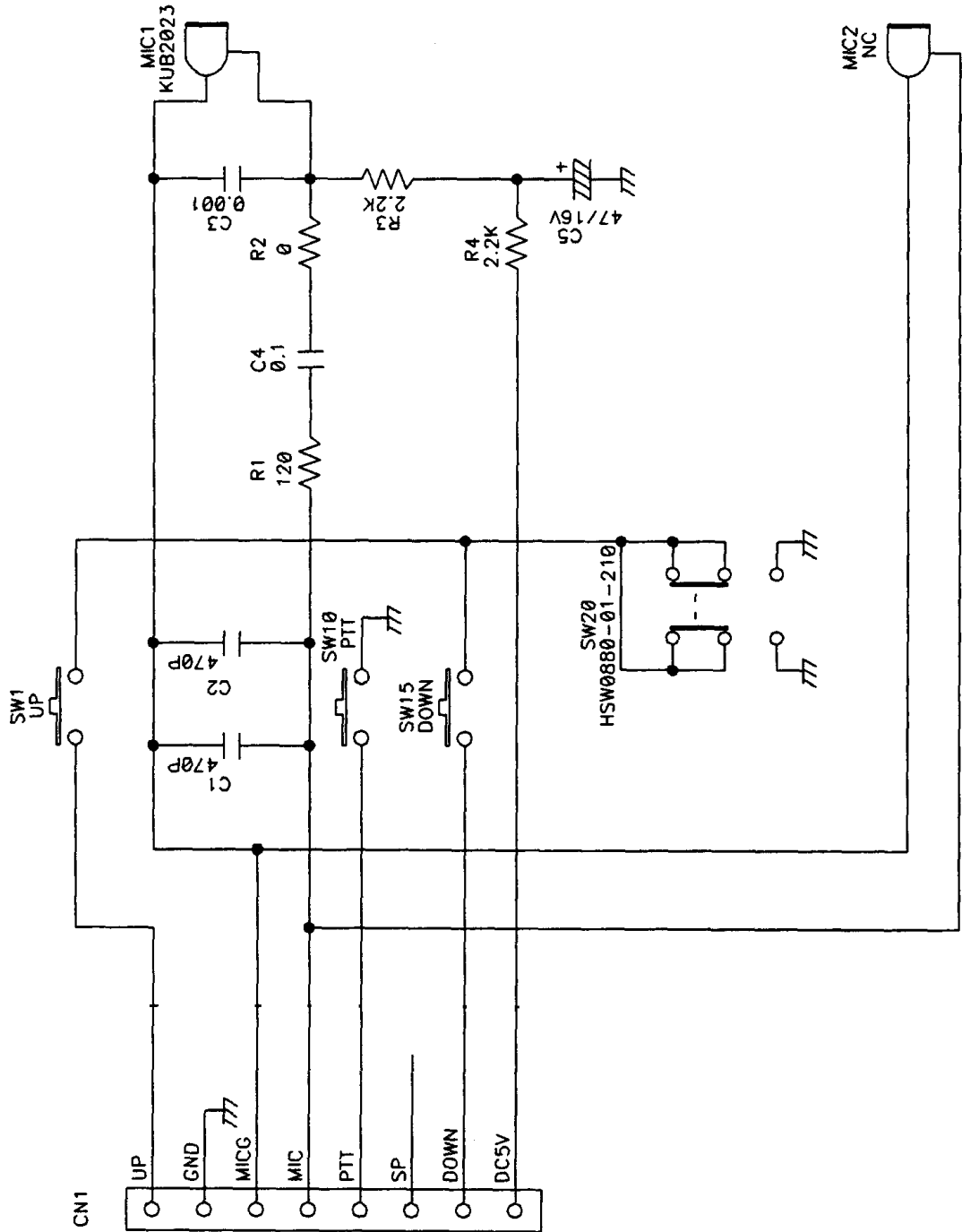
番

改定記号

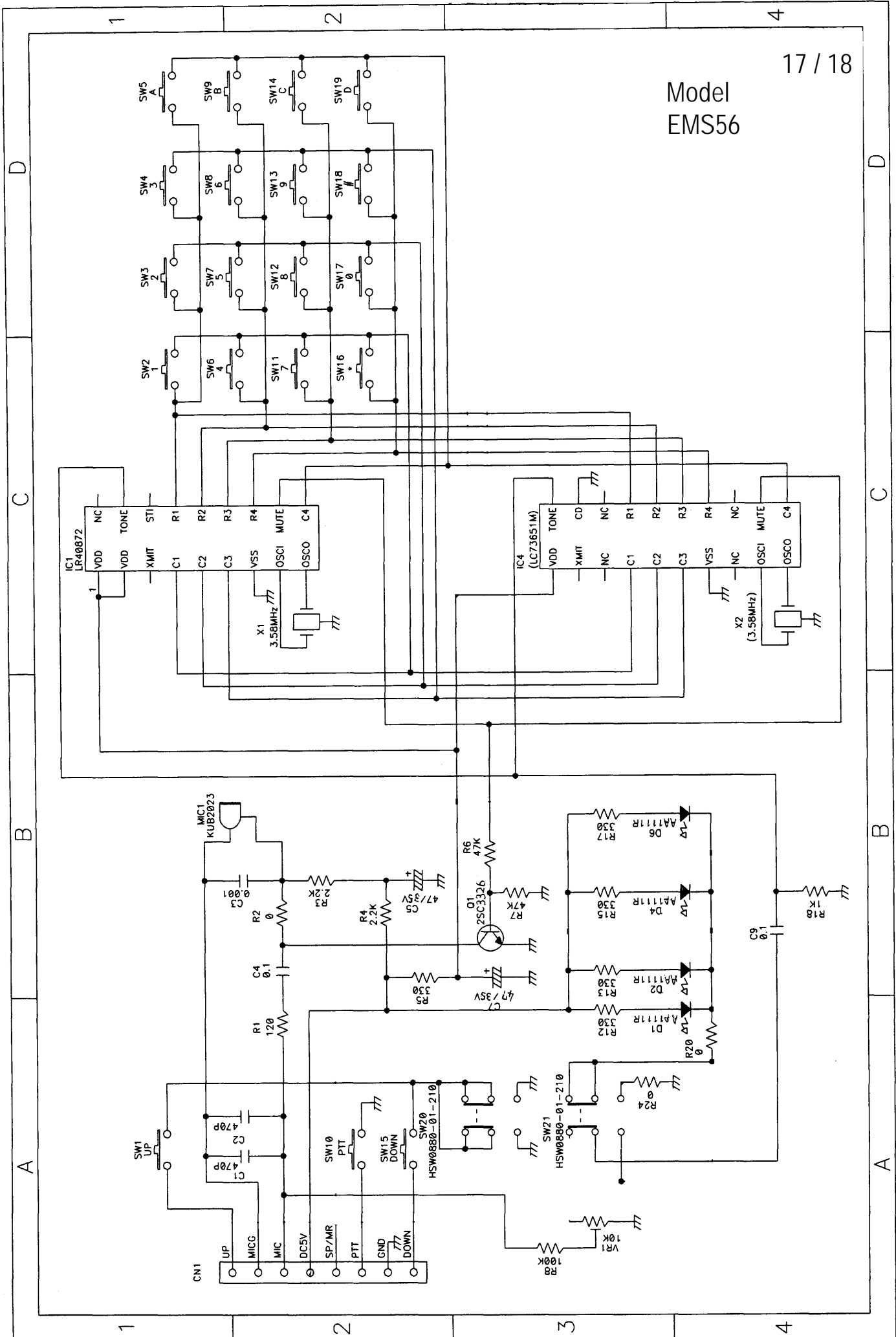
Model

16 / 18

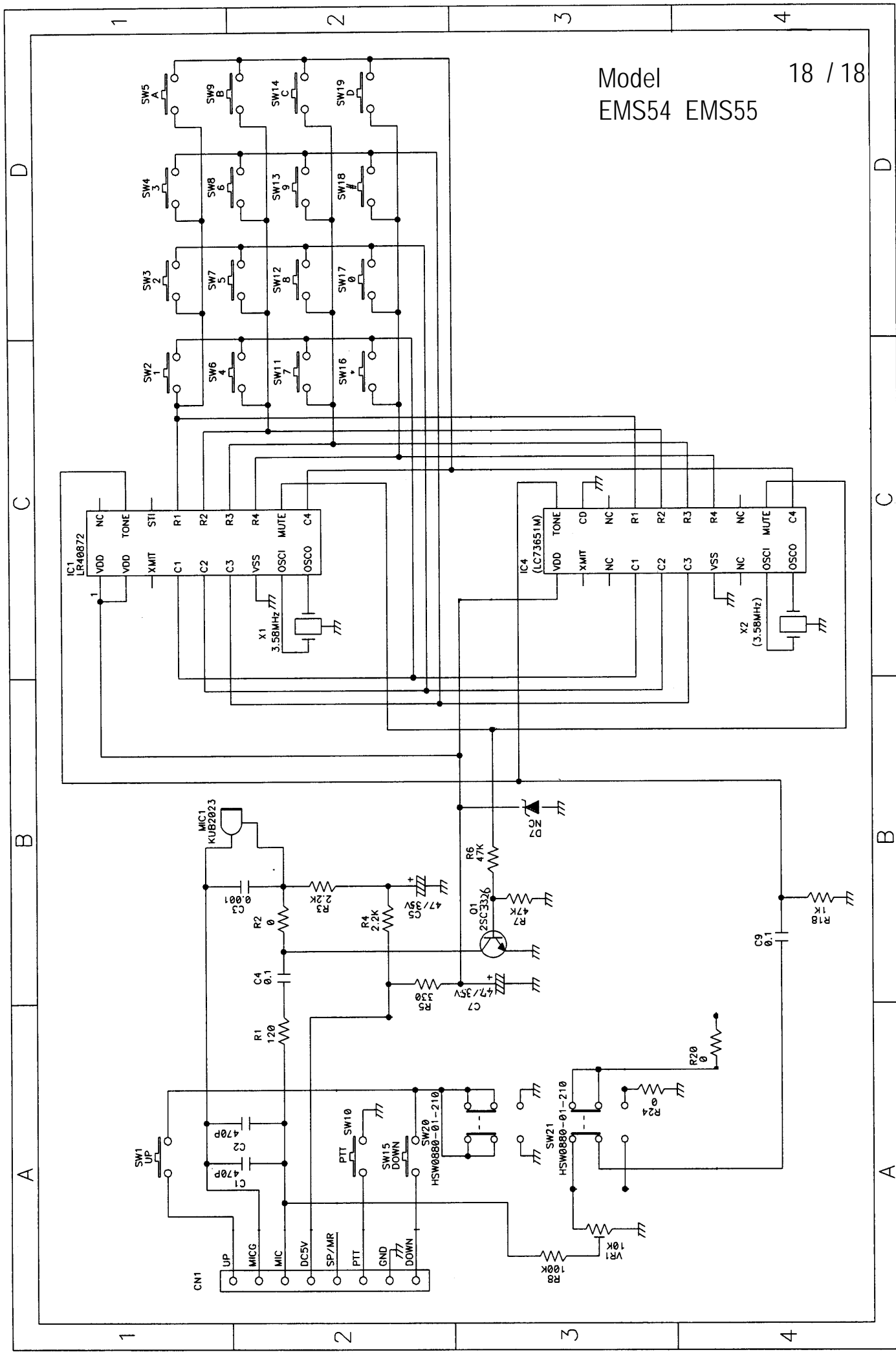
EMS52-53

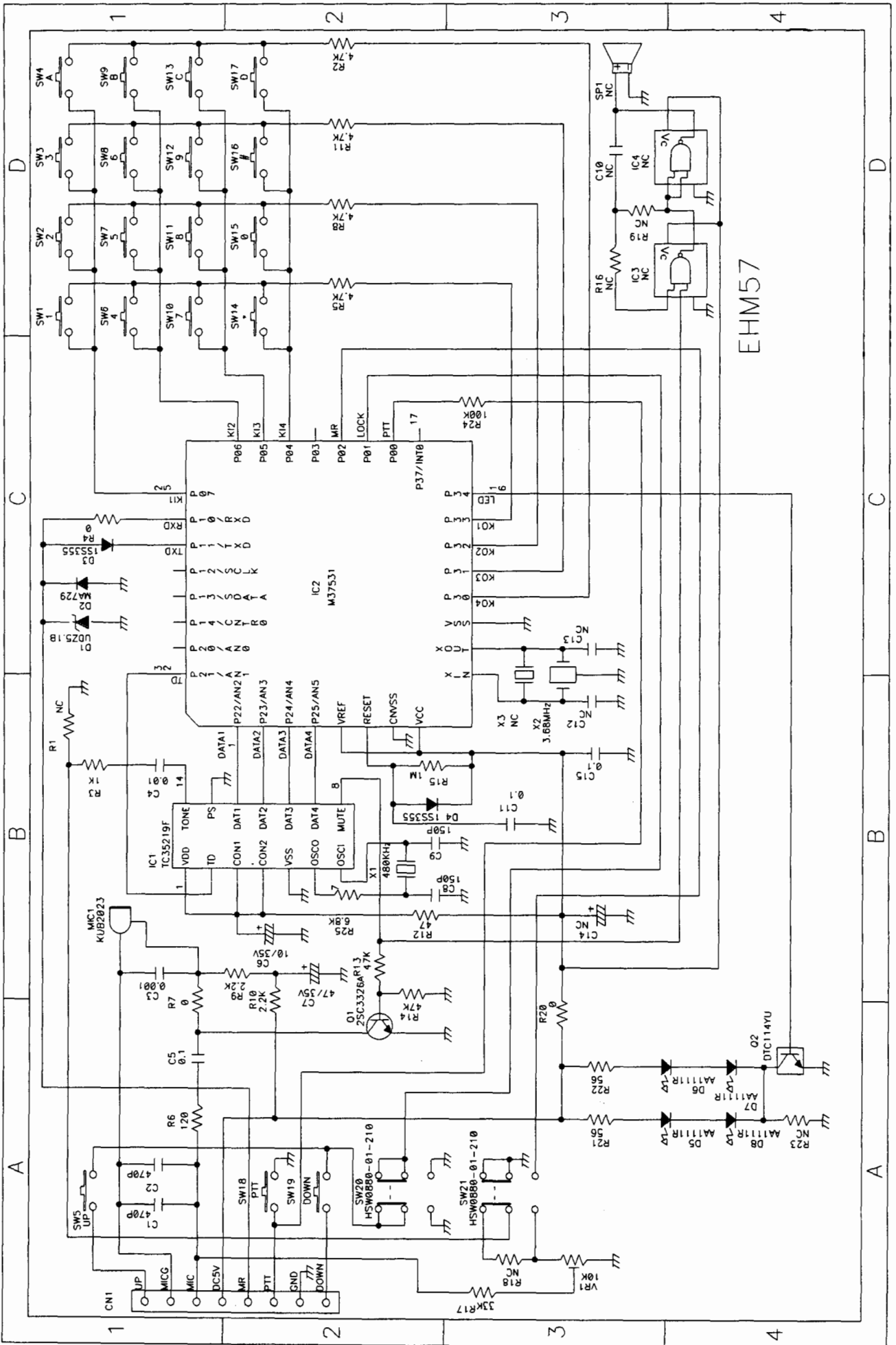


# Model EMS56



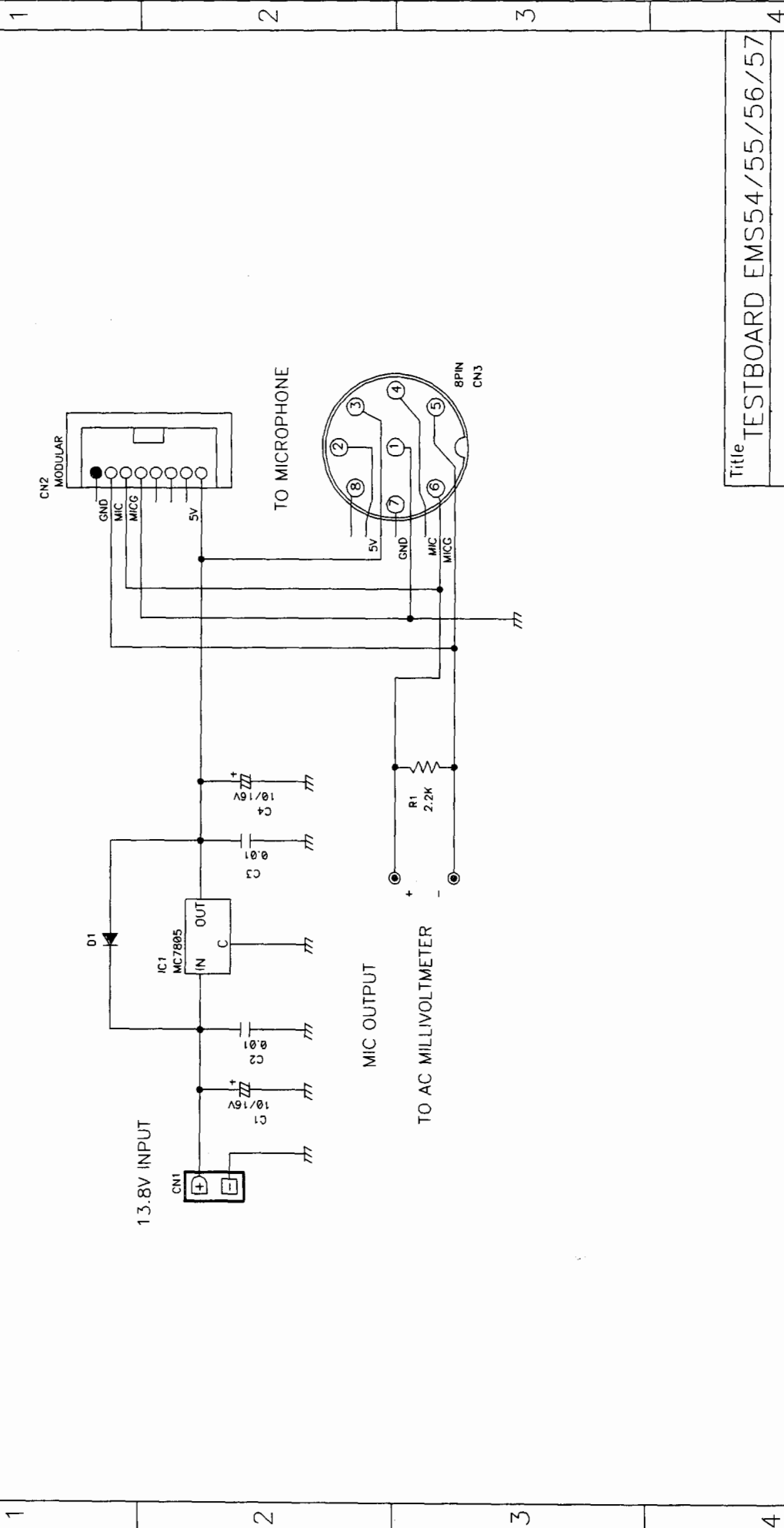
Model  
EMS54 EMS55





EHM57

A B C D



Title TESTBOARD EMS54/55/56/57

TOTAL PAGE	PAGE
22	1
32	1

A B C D